

# Technical catalogue



## Compression fittings



# Reference standards

**Production of the ASTORE compression fittings is carried out according to the highest quality standards and in full compliance with the environmental restrictions set by the applicable laws in force and in accordance with ISO 14001. All products are made in accordance with the quality guarantee system in compliance with ISO 9001.**

- **UNI 9561**  
Pipe and fittings in thermoplastic material, compression fitting mechanical jointing for PE pipe pressure
- **ISO 17885**  
Plastic piping systems – Mechanical fittings for pressure piping systems specifications
- **ISO 7**  
Fittings with pressure-tight threaded joints
- **UNI EN 12201**  
Plastics piping systems for water supply, and for drainage and sewerage under pressure – Polyethylene
- **EN 10226-1/2**  
Pipe threads where pressure tight joints are made on the threads.  
Part 2: Taper external threads and taper internal threads – Dimensions, tolerances and designation
- **ISO 4427**  
PE pipe system for water supply

# Approvals and quality marks



- **DVGW**

ASTORE compression fittings are certified as suitable for coming into contact with water intended for human consumption according to the Deutscher Verein des Gas und Wasserfaches. for further info on the certificated range, please contact Marketing dept.

# COMPRESSION FITTINGS

Astore PP compression fittings are joints for PE pipes dedicated to water adduction systems.

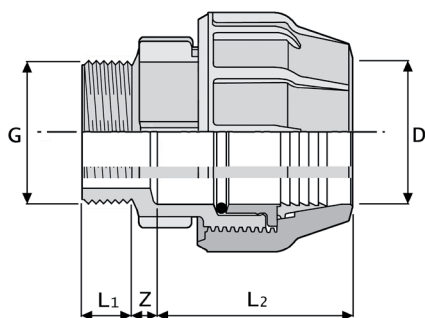
They can be used both in irrigation field and drinking water systems.

## COMPRESSION FITTINGS

- The joints provided with threads have a metal reinforcement on the external part of the thread, leaving from R 1 1/4".

Technical specifications	
<b>Size range</b>	d 16 ÷ d 110 (mm)
<b>Nominal pressure</b>	PN16 with water at 20 °C from d 16 (mm) to d 63 (mm), PN10 with water at 20 °C from d 75 (mm) to d 110 (mm)
<b>Temperature range</b>	0 °C ÷ 60 °C
<b>Reference standards</b>	Astore compression fitting is manufactured in compliance with the requirements of standards UNI 9561, ISO 17885. The joints can be installed on PE pipes which are in compliance with standards ISO 4427, UNI EN 12201. The threaded versions are manufactured in compliance with standard ISO 7-1.
<b>Fitting material</b>	Body and nut in polypropylene black co-polymer, clinching ring in white POM resin.
<b>Seal material</b>	O-ring in NBR. Reinforcement ring in AISI 430.

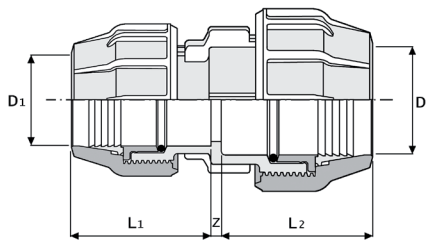
# COMPRESSION FITTINGS



**511**  
Male adaptor

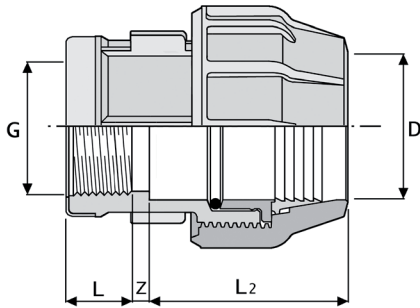
D x G	PN	L1	L2	Z	g	Code
16 x 3/8"	16	18	45	16	23	GG51116A00
16 x 1/2"	16	18	45	20	23	GG51116B00
16 x 3/4"	16	20	45	20	25	GG51116C00
20 x 1/2"	16	18	50	18	36	GG51120B00
20 x 3/4"	16	20	50	19	38	GG51120C00
25 x 1/2"	16	18	57	19	53	GG51125B00
25 x 3/4"	16	20	57	20	54	GG51125C00
25 x 1"	16	20	57	26	56	GG51125D00
32 x 3/4"	16	20	64	23	81	GG51132C00
32 x 1"	16	20	64	26	83	GG51132D00
32 x 1 1/4"	16	24	64	26	89	GG51132E00
40 x 1"	16	20	76	26	137	GG51140D00
40 x 1 1/4"	16	24	76	29	140	GG51140E00
40 x 1 1/2"	16	24	76	29	143	GG51140F00
50 x 1 1/4"	16	24	88	29	214	GG51150E00
50 x 1 1/2"	16	24	88	29	214	GG51150F00
50 x 2"	16	29	88	34	222	GG51150G00
63 x 1 1/2"	16	24	103	29	341	GG51163F00
63 x 2"	16	29	103	34	347	GG51163G00
63 x 2 1/2"	16	32	103	39	361	GG51163H00
75 x 2"	10	29	118	34	520	GR51175G00
75 x 2 1/2"	10	32	118	40	516	GR51175H00
75 x 3"	10	38	118	43	534	GR51175I00
90 x 2"	10	29	136	34	740	GR51190G00
90 x 2 1/2"	10	32	136	40	750	GR51190H00
90 x 3"	10	38	136	43	750	GR51190I00
90 x 4"	10	44	136	49	793	GR51190L00
110 x 2"	10	27	150	34	1040	GG51111G00
110 x 3"	10	38	151	43	1138	GR51111I00
110 x 4"	10	44	151	49	1156	GR51111L00

d20-25-32 DVGW approved, certification n. DW-8616BQ0078



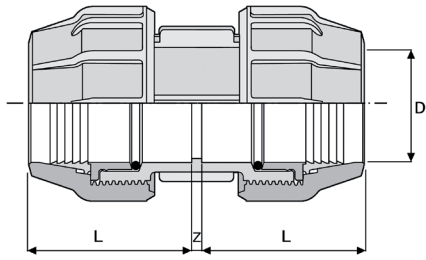
**512**  
Reducer coupling

D x D1	PN	L1	L2	Z	g	Code
20 x 16	16	40,5	50	4	54	GG51220A00
25 x 20	16	50	57	4	81	GG51225B00
32 x 20	16	50	57,5	4	109	GG51232B00
32 x 25	16	53	58	4	123	GG51232C00
40 x 25	16	57	76	4	183	GG51240C00
40 x 32	16	64	76	4	190	GG51240D00
50 x 25	16	57	88	4	262	GG51250C00
50 x 32	16	64	88	4	281	GG51250D00
50 x 40	16	76	88	4	319	GG51250E00
63 x 32	16	64	103	4	403	GG51263D00
63 x 40	16	76	103	4	450	GG51263E00
63 x 50	16	88	103	4	492	GG51263F00
75 x 50	10	88	118	4	664	GR51275F00
75 x 63	10	103	118	4	757	GR51275G00
90 x 63	10	103	136	4	980	GR51290G00
90 x 75	10	118	136	4	1123	GR51290H00
110 x 75	10	118	151	4	1502	GG51211H00
110 x 90	10	136	151	4	1682	GR51211I00



**601**  
Female adaptor

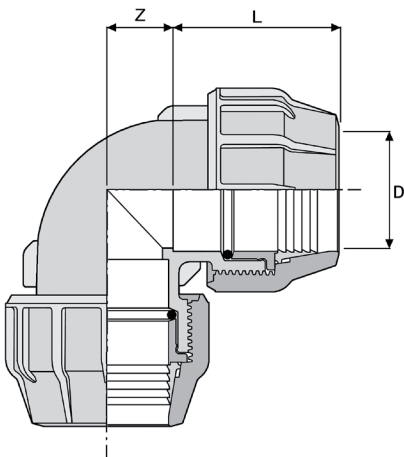
D x G	PN	L	L2	Z	g	Code
16 x 3/8"	16	19	45	4	26	GG60116A00
16 x 1/2"	16	19	45	4	30	GG60116B00
20 x 1/2"	16	19	50	5	41	GG60120B00
20 x 3/4"	16	21	50	6	47	GG60120C00
25 x 1/2"	16	19	57	3	54	GG60125B00
25 x 3/4"	16	21	57	6	61	GG60125C00
25 x 1"	16	21	57	8	68	GG60125D00
32 x 1/2"	16	19	64	4	85	GG60132B00
32 x 3/4"	16	21	64	4	88	GG60132C00
32 x 1"	16	21	64	7	95	GG60132D00
32 x 1 1/4"	16	25	64	8	100	GG60132E00
40 x 1"	16	21	76	4	148	GG60140D00
40 x 1 1/4"	16	25	76	4	155	GG60140E00
40 x 1 1/2"	16	25	76	6	172	GG60140F00
50 x 1 1/4"	16	25	88	4	231	GG60150E00
50 x 1 1/2"	16	25	88	6	234	GG60150F00
50 x 2"	16	30	88	6	254	GG60150G00
63 x 1 1/2"	16	25	103	9	360	GG60163F00
63 x 2"	16	30	103	3	374	GG60163G00
75 x 2"	10	30	118	7	537	GR60175G00
75 x 2 1/2"	10	33	118	4	635	GR60175H00
75 x 3"	10	39	118	6	580	GR60175I00
90 x 2"	10	30	136	3	700	GR60190G00
90 x 2 1/2"	10	33	136	10	730	GR60190H00
90 x 3"	10	39	136	10	932	GR60190I00
110 x 3"	10	39	151	10	1316	GG60111I00
110 x 4"	10	45	151	10	1390	GR60111L00



**510**  
Coupling

D x D	PN	L	Z	g	Code
16 x 16	16	45	4	42	GG51016000
20 x 20	16	50	4	66	GG51020000
25 x 25	16	57	4	96	GG51025000
32 x 32	16	64	4	144	GG51032000
40 x 40	16	76	4	242	GG51040000
50 x 50	16	88	4	374	GG51050000
63 x 63	16	103	9	599	GG51063000
75 x 75	10	118	4	905	GR51075000
90 x 90	10	136	5	1290	GR51090000
110 x 110	10	151	4	1970	GR51011000

d20-25-32 DVGW approved, certification n. DW-8616BQ0078

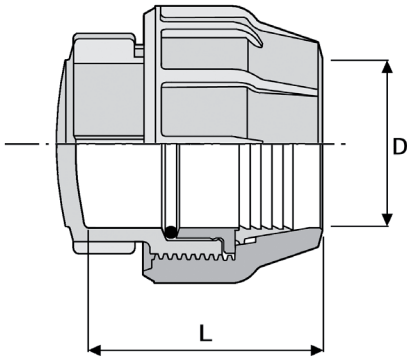


**513**  
Elbow

D x D	PN	L	Z	g	Code
16 x 16	16	45	11	45	GG51316000
20 x 20	16	50	13	70	GG51320000
25 x 25	16	57	15	105	GG51325000
32 x 32	16	64	19	161	GG51332000
40 x 40	16	76	23	269	GG51340000
50 x 50	16	88	28	415	GG51350000
63 x 63	16	103	35	656	GG51363000
75 x 75	10	118	41	994	GR51375000
90 x 90	10	136	49	1450	GR51390000
110 x 110	10	151	60	2193	GR51311000

d20-25-32 DVGW approved, certification n. DW-8616BQ0078

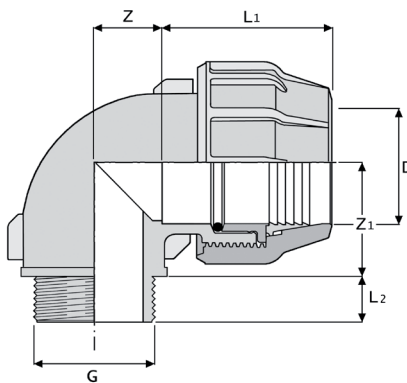




**521**  
Plug

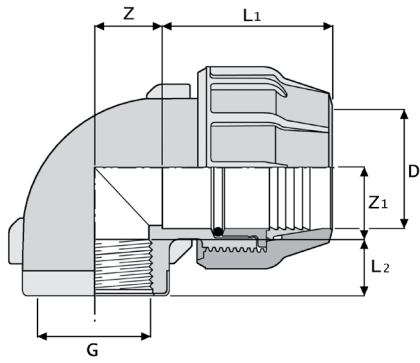
D	PN	L	g	Code
16	16	45	29	GG52116000
20	16	50	40	GG52120000
25	16	57	55	GG52125000
32	16	64	86	GG52132000
40	16	76	152	GG52140000
50	16	88	230	GG52150000
63	16	103	348	GG52163000
75	10	118	452	GR52175000
90	10	136	750	GR52190000
110	10	151	1031	GR52111000

d20-25-32 DVGW approved, certification n. DW-8616BQ0078



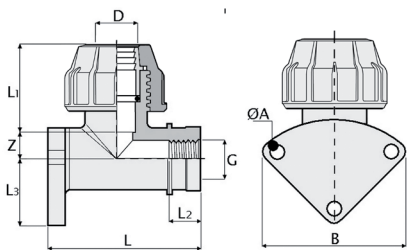
**519**  
Elbow male threaded

D x G	PN	L1	L2	Z	Z1	g	Code
16 x 1/2"	16	45	18	11	40	29	GG51916B00
20 x 1/2"	16	50	18	13	46	50	GG51920B00
20 x 3/4"	16	50	20	13	46	50	GG51920C00
25 x 1/2"	16	57	20	15	52	75	GG51925B00
25 x 3/4"	16	57	20	15	52	75	GG51925C00
25 x 1"	16	57	20	15	52	75	GG51925D00
32 x 1"	16	64	20	19	61	120	GG51932D00
32 x 1 1/4"	16	64	24	19	61	120	GG51932E00
40 x 1 1/4"	16	76	24	23	69	198	GG51940E00
40 x 1 1/2"	16	76	24	23	69	198	GG51940F00
50 x 1 1/2"	16	88	24	28	82	305	GG51950F00
50 x 2"	16	88	29	28	82	305	GG51950G00
63 x 2"	16	103	29	35	96	480	GG51963G00
63 x 2 1/2"	16	103	32	35	96	480	GG51963H00
75 x 2 1/2"	10	118	32	41	111	709	GR51975H00
75 x 3"	10	118	38	41	111	709	GR51975I00
90 x 3"	10	136	38	49	128	1031	GR51990I00
110 x 4"	10	153	44	58	143	1549	GR51911L00



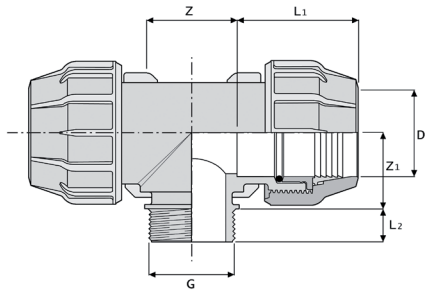
**518**  
Elbow female threaded

D x G	PN	L1	L2	Z	Z1	g	Code
16 x 3/8"	16	45	19	11	25	32	GG51816A00
16 x 1/2"	16	45	19	11	28	32	GG51816B00
20 x 1/2"	16	50	19	13	28	51	GG51820B00
20 x 3/4"	16	57	20	13	28	51	GG51820C00
25 x 1/2"	16	57	19	13	28	75	GG51825B00
25 x 3/4"	16	57	21	15	31	77	GG51825C00
25 x 1"	16	57	21	15	31	77	GG51825D00
32 x 1/2"	16	64	19	19	40	122	GG51832B00
32 x 3/4"	16	64	21	19	40	122	GG51832C00
32 x 1"	16	64	21	19	40	122	GG51832D00
32 x 1 1/4"	16	64	25	19	40	122	GG51832E00
40 x 1 1/4"	16	76	25	23	44	198	GG51840E00
40 x 1 1/2"	16	76	25	23	51	198	GG51840F00
50 x 1 1/2"	16	88	25	28	55	316	GG51850F00
50 x 2"	16	88	30	28	55	316	GG51850G00
63 x 2"	16	103	30	35	63	582	GG51863G00
63 x 2 1/2"	16	103	33	35	78	499	GG51863H00
75 x 2 1/2"	10	118	33	41	73	810	GR51875H00
75 x 3"	10	118	39	41	73	810	GR51875I00
90 x 3"	10	136	39	49	87	1213	GR51890I00
110 x 4"	10	151	45	60	103	1767	GR51811L00



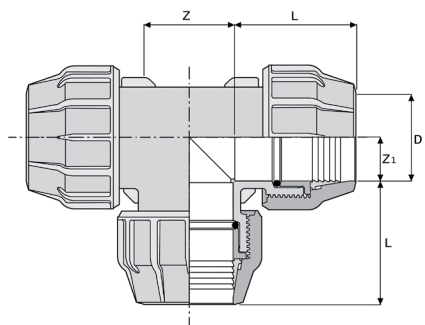
**524**  
Wallbrackets

D x G	PN	L	L1	L2	Z	A	B	g	Code
25 x 3/4"	16	83,5	57	21	14	6	62	76	GG52425C00



**516**  
Tee male threaded

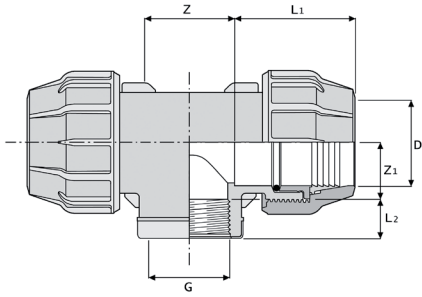
D x G x D	PN	L1	L2	Z	Z1	g	Code
16 x 1/2" x 16	16	45	18	22	40	52	GG51616B00
20 x 1/2" x 20	16	50	18	26	46	82	GG51620B00
20 x 3/4" x 20	16	50	20	26	46	82	GG51620C00
25 x 3/4" x 25	16	57	20	30	52	122	GG51625C00
25 x 1" x 25	16	57	20	30	52	122	GG51625D00
32 x 1" x 32	16	64	20	38	31	190	GG51632D00
32 x 1 1/4" x 32	16	64	24	38	31	190	GG51632E00
40 x 1 1/4" x 40	16	76	24	46	39	322	GG51640E00
40 x 1 1/2" x 40	16	76	24	46	39	322	GG51640F00
50 x 1 1/2" x 50	16	88	24	56	82	490	GG51650F00
50 x 2" x 50	16	88	29	56	82	490	GG51650G00
63 x 2" x 63	16	103	29	70	96	775	GG51663G00
63 x 2 1/2" x 63	16	103	32	70	96	775	GG51663H00
75 x 2 1/2" x 75	10	118	32	82	111	790	GR51675H00
90 x 3" x 90	10	125	38	97	122	1800	GR51690I00
110 x 4" x 110	10	144	44	119	143	2523	GR51611L00



**514**  
Tee

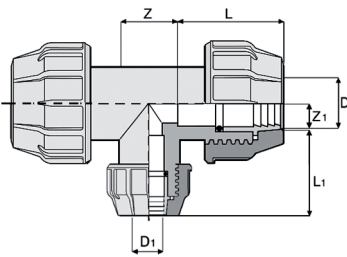
D x D1 x D	PN	L	Z	Z1	g	Code
16 x 16 x 16	16	45	22	11	66	GG51416000
20 x 20 x 20	16	50	26	13	101	GG51420000
20 x 25 x 20	16	53	26	13	115	GG51420C00
25 x 25 x 25	16	57	30	15	151	GG51425000
25 x 32 x 25	16	54	30	15	190	GG51425D00
32 x 32 x 32	16	64	38	19	236	GG51432000
40 x 40 x 40	16	76	46	23	390	GG51440000
50 x 50 x 50	16	88	56	28	598	GG51450000
63 x 63 x 63	16	103	70	35	944	GG51463000
75 x 75 x 75	10	118	82	41	1427	GR51475000
90 x 90 x 90	10	136	98	49	2113	GR51490000
110 x 110 x 110	10	151	120	60	3191	GR51411000

d20-25-32 DVGW approved, certification n. DW-8616BQ0078



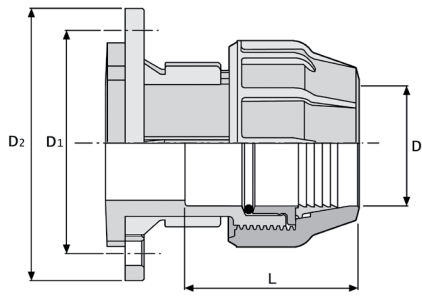
**515**  
Tee female threaded

D x G x D	PN	L1	L2	Z	Z1	g	Code
16 x 3/8" x 16	16	45	19	22	25	55	GG51516A00
16 x 1/2" x 16	16	45	19	22	19	48	GG51516B00
20 x 1/2" x 20	16	50	19	26	27	85	GG51520B00
20 x 3/4" x 20	16	50	19	26	27	85	GG51520C00
25 x 1/2" x 25	16	57	19	30	31	127	GG51525B00
25 x 3/4" x 25	16	57	21	30	31	127	GG51525C00
25 x 1" x 25	16	57	21	30	35	127	GG51525D00
32 x 1/2" x 32	16	64	19	38	40	195	GG51532B00
32 x 3/4" x 32	16	64	21	38	40	195	GG51532C00
32 x 1" x 32	16	64	21	38	40	195	GG51532D00
32 x 1 1/4" x 32	16	64	25	38	40	195	GG51532E00
40 x 1" x 40	16	76	21	46	44	322	GG51540D00
40 x 1 1/4" x 40	16	76	25	46	44	322	GG51540E00
40 x 1 1/2" x 40	16	76	25	46	50	322	GG51540F00
50 x 1 1/2" x 50	16	88	25	56	55	510	GG51550F00
50 x 2" x 50	16	88	25	56	55	510	GG51550G00
63 x 2" x 63	16	103	30	70	64	801	GG51563G00
63 x 2 1/2" x 63	16	103	33	70	64	801	GG51563H00
75 x 2 1/2" x 75	10	118	33	82	75	1270	GR51575H00
90 x 3" x 90	10	136	36	98	87	1882	GR51590I00
110 x 4" x 110	10	151	40	120	103	2780	GR51511L00



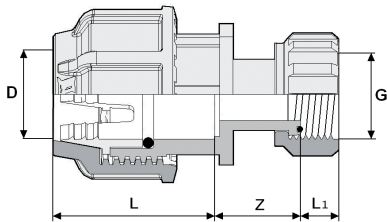
**523**  
Reduced Tee

D x D1 x D	PN	L	L1	Z	Z1	g	Code
20 x 16 x 20	16	47	44	25	13	93	GG52320A00
25 x 20 x 25	16	51,5	47	30	14	132	GG52325B00
32 x 25 x 32	16	57,5	51	32	19	207	GG52332C00
40 x 32 x 40	16	83	75	40	17	340	GG52340D00
50 x 40 x 50	16	100	90	44	23	580	GG52350E00
63 x 50 x 63	16	95	85	66	33	950	GG52363F00



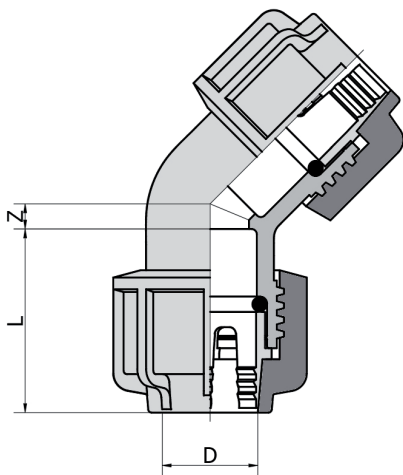
**520**  
Flange adaptor

D x DN	PN	L	D1	D2	n°Drill	g	Code
50 x 1 1/2	16	86	110	150	4	1033	GG52050F00
63 x 2"	16	98	125	163	4	1217	GG52063G00
75 x 2 1/2	10	118	145	185	4	1843	GR52075H00
75 x 3"	10	118	160	200	8	2516	GR52075I00
90 x 3"	10	136	160	200	8	2207	GR52090I00
90 x 4"	10	136	180	220	8	3190	GR52090L00
110 x 4"	10	151	180	220	8	2635	GR52011L00



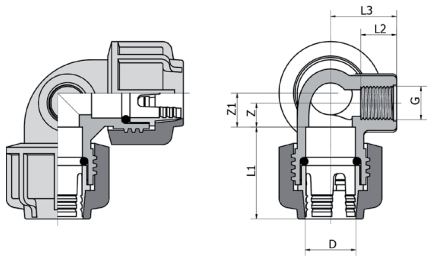
**525**  
Adaptor with nut

D x G	PN	L	L1	Z	g	Code
25 x 1"	16	55	13,2	30	70	GG52525D00
32 x 1"	16	57	13,2	33	105	GG52532D00



**526**  
Elbow 45°

D x D	PN	L	Z	g	Code
20 x 20	16	47	6,5	66	GG52620000
25 x 25	16	52	7	96	GG52625000
32 x 32	16	56	8,5	159	GG52632000
40 x 40	16	70	11	268	GG52640000

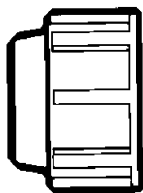


## 527

Elbow female threaded with orthogonal derivation

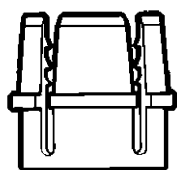
D x G x D	PN	L1	L2	L3	Z	Z1	g	Code
20 x 20	16	49	19	35	13	18	104	GG52725B00
25 x 25	16	58	19	36	16	20,5	108	GG52732C00

# COMPONENTS AND SPARE PARTS



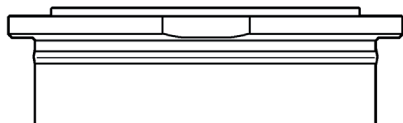
**GHP**  
Nut

D	Code
16	10GHI2000N016
20	10GHI2000N020
25	10GHI2000N025
32	10GHI2000N032
40	10GHI2000N040
50	10GHI2000N050
63	10GHI2000N063
75	10GHI2100N075
90	10GHI2100N090
110	10GHI2100N110



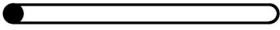
**AGR**  
Clinching ring

D	Code
16	10AGR6000B016
20	10AGR6000B020
25	10AGR6000B025
32	10AGR6000B032
40	10AGR6000B040
50	10AGR6000B050
63	10AGR6000B063
75	10AGR6100B075
90	10AGR6100B090
110	10AGR6100B110



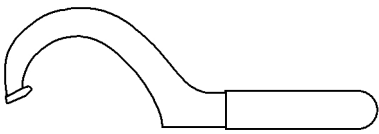
**BUS**  
Bushing ring

D	Code
75	10BUS2100N075
90	10BUS2100N090
110	10BUS2100N110



**GRD**  
O-ring gasket

D	Code
16	4OR1557I
20	4OR1558I
25	4OR1559I
32	4OR1560I
40	4OR1561I
52	4OR1562I
63	4OR1563I
75 (GG)	4OR1564I
75 (GR)	4OR1567I
90	4OR1565I
110 (GG)	4OR1566I
110 (GR)	4OR1568I



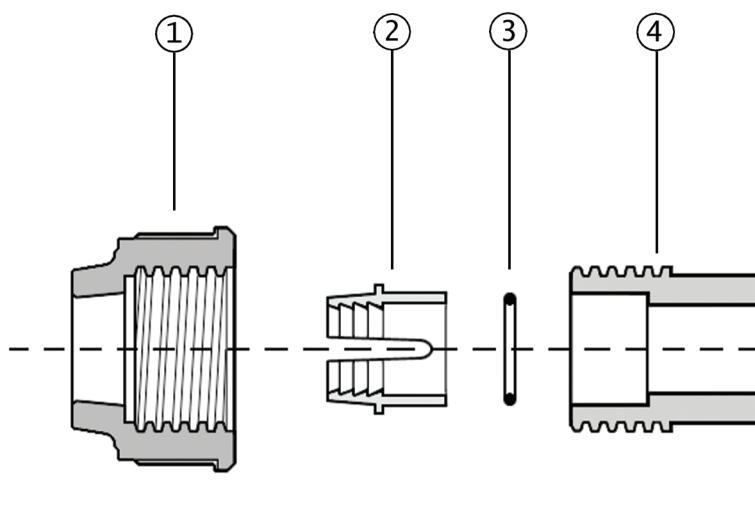
**Tightening key**

D	g	Code
40÷63	400	MAGNUMGRI040063
75÷110	1000	MAGNUMGRI075110



# COMPONENTS

## EXPLODED VIEW DN 10÷50

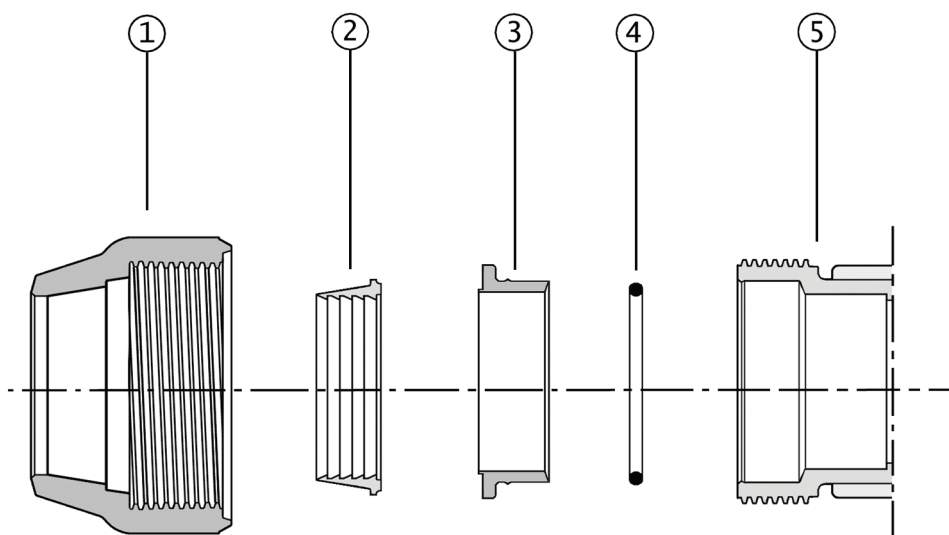


**DN 10 ÷ 50**

- 1** Nut
- 2** Clinching ring

- 3** O-ring
- 4** Body

## EXPLODED VIEW DN 65÷100



**DN 65 ÷ 100**

- 1 Nut
- 2 Clinching ring

- 3 Thrust bushing
- 4 O-ring

- 5 Body

# INSTALLATION

## INSTALLATION D 16÷40

1. Cut the pipe at 90 ° to its axis using a pipe cutter (figure 1).
2. Any burrs and chips resulting from the cutting must be removed. A small chamfering at the end of the pipe will make the assembly easier.
3. Loosen the joint ring nut to the last thread engaged (the fitting doesn't need to be dismantled).
4. Insert the pipe joint ring into the fitting to the beat and tightly screw the ring nut (figure 2 and 3).

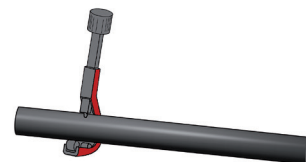
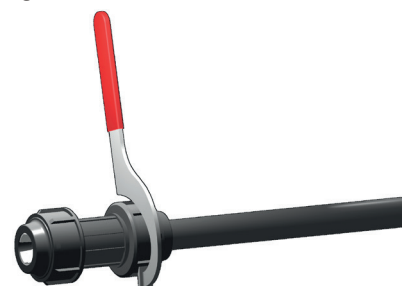


Fig.2



Fig.3



## INSTALLATION D 50÷63

1. Cut the pipe at 90 ° to its axis using a pipe cutter (figure 1).
2. Any burrs and chips resulting from the cutting must be removed.
3. Insert on the pipe these items in the following order: the ring nut, the clinching ring and put the o'ring onto the pipe inlet. Before carrying out this operation, lubricate the pipe and the seal to ease the insertion (figure 1).
4. Insert the fitting body until the seal beats in the body (figure 2).
5. Tightly screw the ring nut with the proper spanner (figure 3).

Fig.1

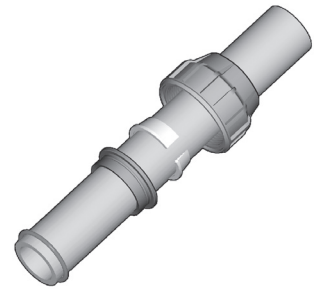


Fig.2

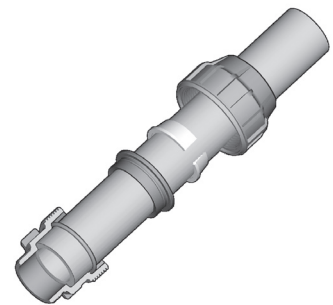
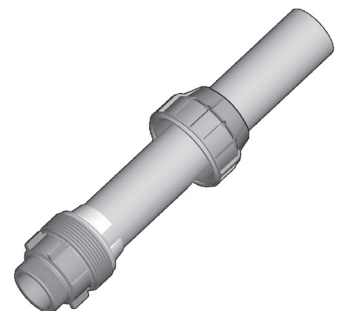


Fig.3



## INSTALLATION D 75÷110

1. Cut the pipe at 90 ° to its axis using a pipe cutter.
2. Any burrs and chips resulting from the cutting must be removed (figure 1).
3. Insert on the pipe these items in the following order: the ring nut, the presser bush, the o-ring and the fitting body. Before carrying out this operation, lubricate both the pipe and the seal to ease the insertion (figure 2).
4. Tightly screw the ring nut to allow the introduction of the seal until it beats in the body. Unscrew the ring nut, open the clinching ring and insert it into the pipe (figure 3).
5. Tightly screw the ring nut with the proper spanner.

Fig.1

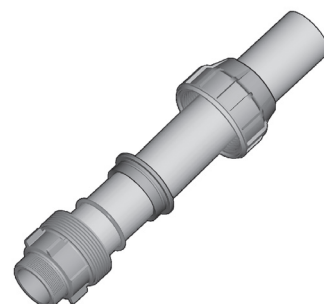


Fig.2

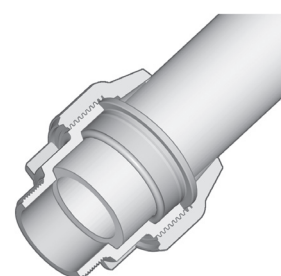


Fig.3

